



# Valley Tool

3040 N. Pointer Rd. Appleton, WI 54911  
tel: 800.734.2573 • fax: 920.734.1749  
email: sales@valleytool.net • www.valleytool.net

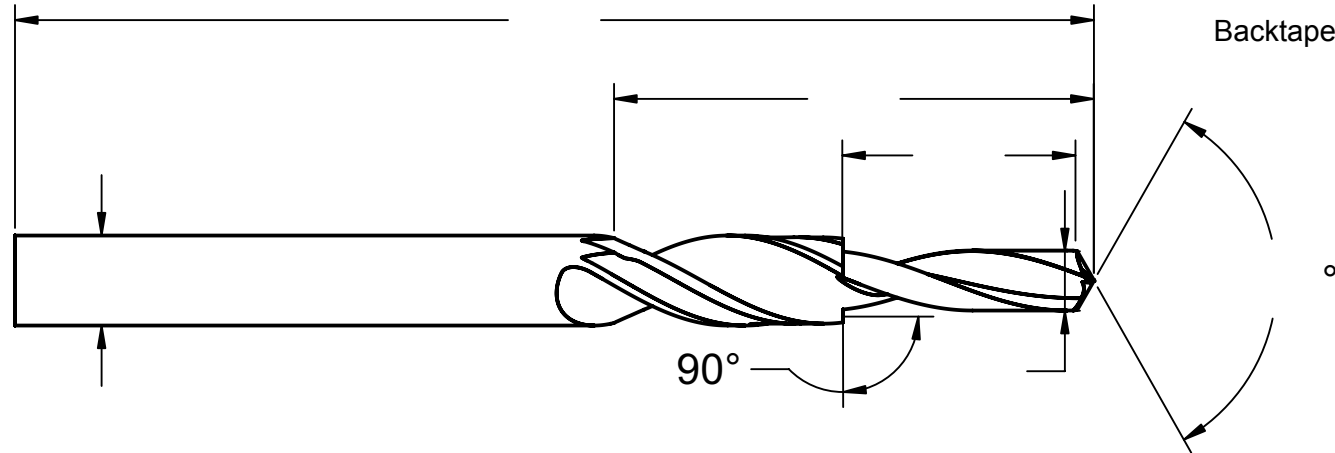
FILL IN THE BLANKS BELOW AND SEND TO  
SALES@VALLEYTOOL.NET OR FAX 920.734.1749

CARBIDE  
COBALT  
HSS  
COOLANT FED

## DRILL COUNTERBORE

### COATING

- AlTiN
- TiN
- TiCN
- TiCN-MP
- TiAlCN
- TiAlN
- ZrN
- NANO-TEK
- AlCrN
- UNCOATED



Helix Angle:  
Right Hand Spiral  
Backtaper:

# OF FLUTES:

MATERIAL TO BE CUT:

COMPANY:

NAME:

PHONE:

EMAIL:

QUANTITIES OF

TOLERANCES UNLESS  
SPECIFIED BY CUSTOMER

|        |       |           |
|--------|-------|-----------|
| NOTES: |       | +/- .0005 |
|        |       | +/- 10'   |
|        | .XXXX | +/- .0003 |
|        | .XXX  | +/- .001  |
|        | .XX   | +/- .005  |
|        | O.A.L | +/- .05   |