



Valley Tool

3040 N. Pointer Rd. Appleton, WI 54911

tel: 800.734.2573 • fax: 920.734.1749

email: sales@valleytool.net • www.valleytool.net

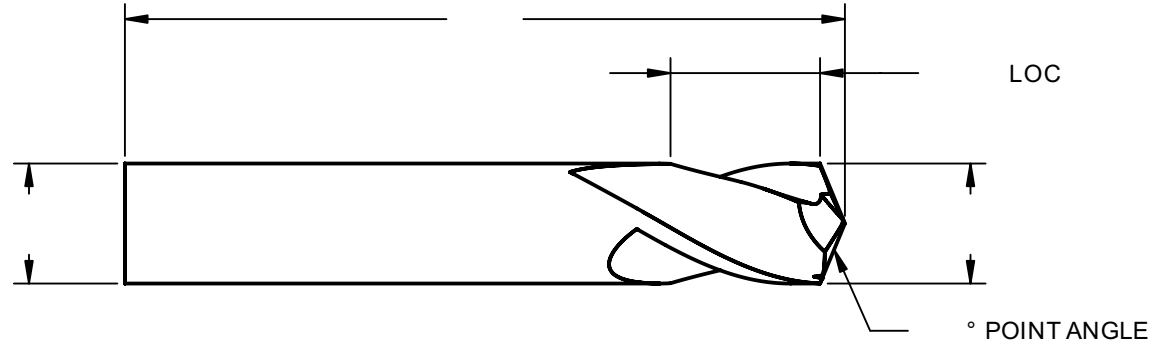
FILL IN THE BLANKS BELOW AND SEND TO
SALES@VALLEYTOOL.NET OR FAX 920.734.1749

- CARBIDE
- HSS
- COBALT

DRILL MILL 2 FLUTES

COATING

- AlTiN
- TiN
- TiCN
- TiCN-MP
- TiAlCN
- TiAlN
- ZrN
- NANO-TEK
- AlCrN
- UNCOATED



OF FLUTES:

MATERIAL TO BE CUT:

QUANTITIES OF

TOLERANCES UNLESS
SPECIFIED BY CUSTOMER

COMPANY:

NAME:

PHONE:

EMAIL:

NOTES:

	+/- .0005
	+/- 10'
.XXXX	+/- .0003
.XXX	+/- .001
.XX	+/- .005
O.A.L	+/- .05