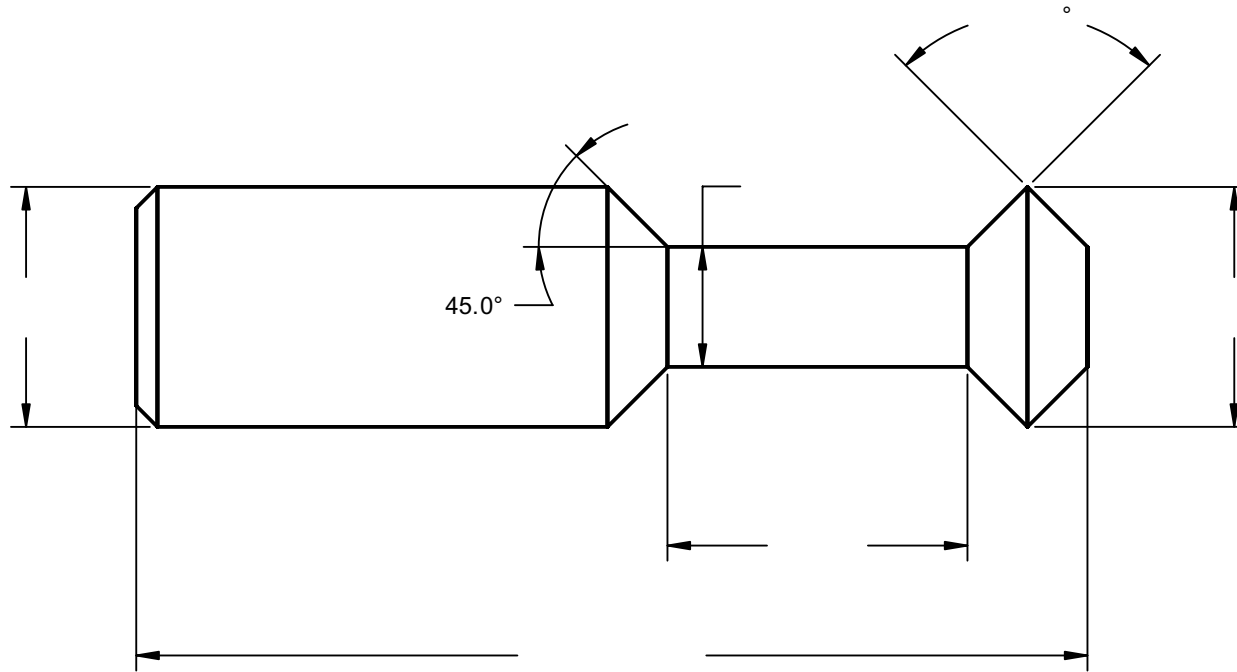


DOUBLE ANGLE SHANK CUTTER



TOLERANCES UNLESS SPECIFIED BY CUSTOMER

.0003" PER INCH
BACK TAPER FOR
DRILLS/REAMRES

∇	+/- .0005
\angle	+/- 10'
.XXXX	+/- .0003
.XXX	+/- .001
.XX	+/- .005
O.A.L	+/- .05

HSS COBALT CARBIDE # OF FLUTES

MATERIAL BEING CUT

COATING PREFERENCE:

- TiN TiCN TiCN-MP TiAlCN TiAlN AlTiN
 ZrN NANO-tek AlCrN Amorphous Diamond
 VTI RECOMMEND



3040 N. Pointer Rd. Appleton, WI 54911
800.734.2573 | 920.734.2573 | Fax: 920.734.1749
sales@Valley Tool.net | www.Valley Tool.net

COMPANY
CONTACT
PHONE #
EMAIL

PART#

DO NOT SCALE

REV: NONE